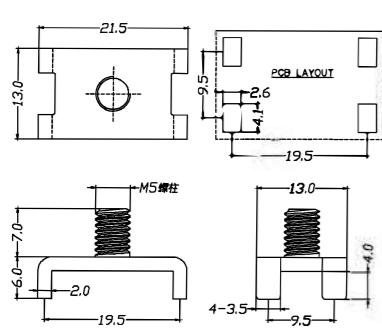


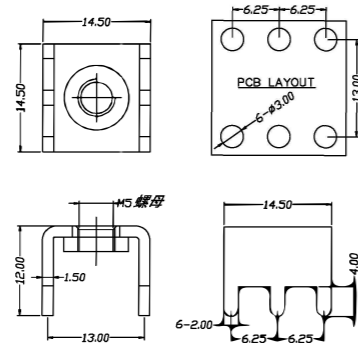
PR5-120A-002



技术参数(Technical Data)

间距(Center Space)	9.5x19.5mm
额定电流(Rated Current)	120A
压线螺钉(Screw)	M5
焊接端子(Terminal Body)	Brass, Tin Plated
螺钉扭矩(Screw Torque)	24 lbf · in

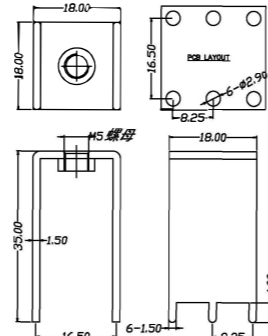
PR5-120A-003



技术参数(Technical Data)

间距(Center Space)	6.25x13.0mm
额定电流(Rated Current)	120A
压线螺钉(Screw)	M5
焊接端子(Terminal Body)	Brass, Tin Plated
螺钉扭矩(Screw Torque)	24 lbf · in

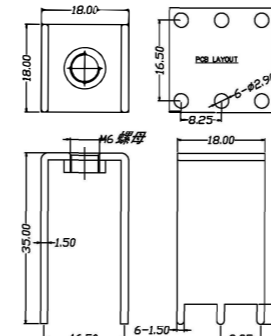
PR5-120A-004



技术参数(Technical Data)

间距(Center Space)	8.25x16.5mm
额定电流(Rated Current)	120A
压线螺钉(Screw)	M5
焊接端子(Terminal Body)	Brass, Tin Plated
螺钉扭矩(Screw Torque)	24 lbf · in

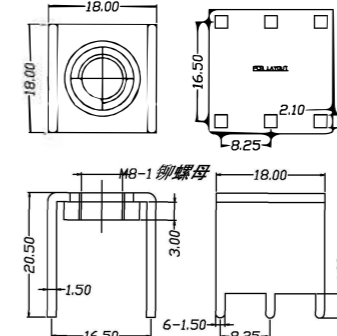
PR5-120A-007



技术参数(Technical Data)

间距(Center Space)	8.25x16.5mm
额定电流(Rated Current)	120A
压线螺钉(Screw)	M6
焊接端子(Terminal Body)	Brass, Tin Plated
螺钉扭矩(Screw Torque)	30 lbf · in

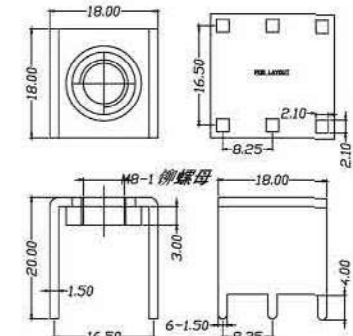
PR5-120A-008



技术参数(Technical Data)

间距(Center Space)	8.25x16.5mm
额定电流(Rated Current)	120A
压线螺钉(Screw)	M8
焊接端子(Terminal Body)	Brass, Tin Plated
螺钉扭矩(Screw Torque)	66 lbf · in

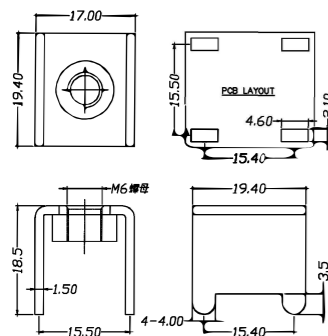
PR5-120A-009



技术参数(Technical Data)

间距(Center Space)	8.25x16.5mm
额定电流(Rated Current)	120A
压线螺钉(Screw)	M8
焊接端子(Terminal Body)	Brass, Tin Plated
螺钉扭矩(Screw Torque)	66 lbf · in

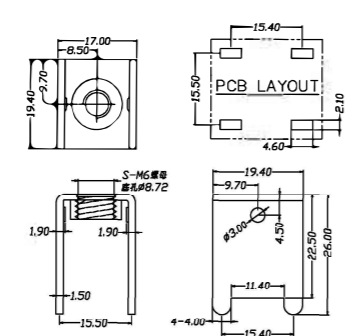
PR5-120A-005



技术参数(Technical Data)

间距(Center Space)	15.4x15.5mm
额定电流(Rated Current)	120A
压线螺钉(Screw)	M6
焊接端子(Terminal Body)	Brass, Tin Plated
螺钉扭矩(Screw Torque)	30 lbf · in

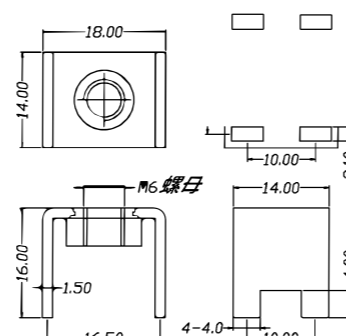
PR5-120A-038



技术参数(Technical Data)

间距(Center Space)	15.4*15.5mm
额定电流(Rated Current)	120A
压线螺钉(Screw)	M6
焊接端子(Terminal Body)	Brass, Tin Plated
螺钉扭矩(Screw Torque)	30 lbf · in

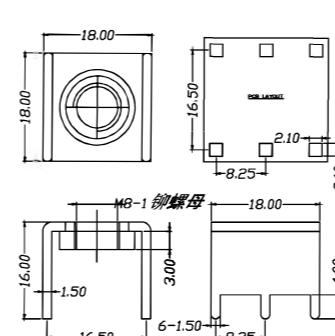
PR5-120A-006



技术参数(Technical Data)

间距(Center Space)	10.0x16.50mm
额定电流(Rated Current)	120A
压线螺钉(Screw)	M6
焊接端子(Terminal Body)	Brass, Tin Plated
螺钉扭矩(Screw Torque)	30 lbf · in

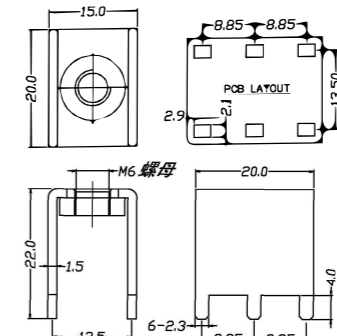
PR5-120A-010



技术参数(Technical Data)

间距(Center Space)	8.25x16.5mm
额定电流(Rated Current)	120A
压线螺钉(Screw)	M8
焊接端子(Terminal Body)	Brass, Tin Plated
螺钉扭矩(Screw Torque)	66 lbf · in

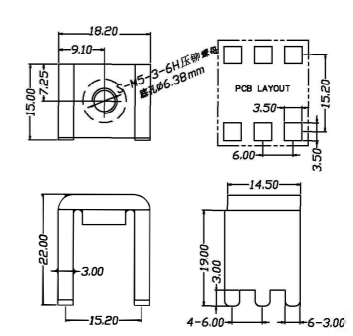
PR5-130A-015



技术参数(Technical Data)

间距(Center Space)	6.25x13.0mm
额定电流(Rated Current)	130A
压线螺钉(Screw)	M6
焊接端子(Terminal Body)	Brass, Tin Plated
螺钉扭矩(Screw Torque)	30 lbf · in

PR5-150A-016



技术参数(Technical Data)

间距(Center Space)	6.0*15.20mm
额定电流(Rated Current)	150A
压线螺钉(Screw)	M5
焊接端子(Terminal Body)	Brass, Tin Plated
螺钉扭矩(Screw Torque)	24 lbf · in

QE 皇翀 50A~300A
QE RIVET NUT STRAIGHT PIN

QE RIVET NUT STRAIGHT PIN
QE 皇翀 50A~300A